



This product must be installed in accordance with applicable national and local electrical and construction codes by a person familiar with the construction and operation of the product and the hazards involved. Failure to comply with the following installation instructions may result in death or serious injury.

WARNING

DO NOT USE IF FIXTURE, PARTS OR CONNECTORS ARE DAMAGED.

WARNING

DO NOT EXCEED FIXTURE SPECIFIED VOLTAGE.

CAUTION

UNAUTHORIZED FIELD REPAIRS WILL VOID WARRANTY.

WARNING

DO NOT TOUCH REFLECTOR WITH BARE HANDS OR FINGERS. DIRT AND STAINS CANNOT BE CLEANED.

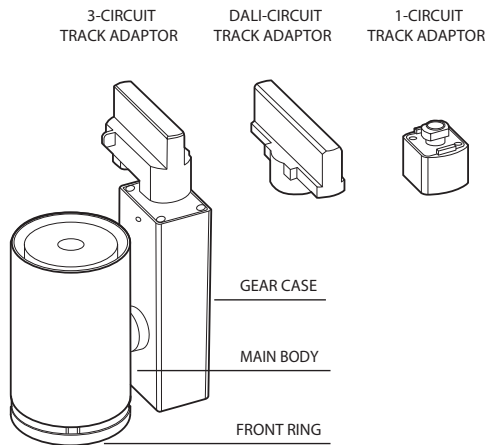
WARNING

DO NOT ATTEMPT TO CLEAN REFLECTOR WITH CLEANING AGENT OR PAPER TOWLES OR CLOTH. THIS WILL PERMANENTLY DAMAGE THE REFLECTOR.

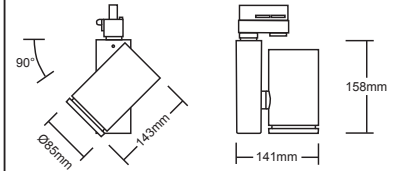
WARNING

DISCONNECT ADAPTOR AND REMOVE FITTING FROM TRACK BEFORE INSTALLING OR SERVICING TO AVOID ELECTRICAL SHOCK.

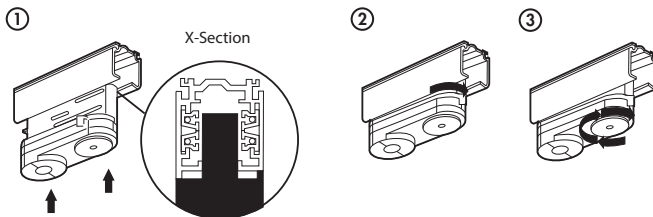
1. INSTALLATION HARDWARE



2. LINE DIAGRAM



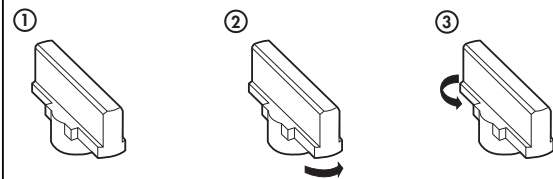
3. 3-CIRCUIT INSTALLATION



NOTE: Please ensure that track adaptor is aligned correctly

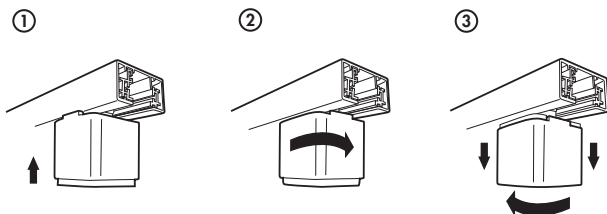
- STEP 1** . Ensure the adaptor is in the correct orientation before offering into the track.
- STEP 2** . Adjust the lever to make electrical connection and to lock with the track.
- STEP 3** . Select circuit 1,2 or 3 by rotating the selector dial.
- STEP 4** . Remove the adaptor by selecting 'off' on the dial and reverse the above sequence

4. DALI-CIRCUIT INSTALLATION



- STEP 1** . Engage the adaptor into the track.
- STEP 2** . Adjust the lever to make electrical connection and to lock with the track.
- STEP 3** . Select circuit 1,2 or 3 by rotating the selector dial.
- STEP 4** . Remove the adaptor by selecting '0' on the dial and reverse the above sequence

5. 1-CIRCUIT INSTALLATION



- STEP 1** . Adaptor head should be placed into the track.
- STEP 2** . Twist the adaptor into position.
- STEP 3** . To disconnect, pull the adaptor downwards and twist to remove.

WARNING

- OVER RUNNING THE LUMINAIRE ABOVE THE DESIGNED OUTPUT WILL CAUSE SERIOUS DAMAGE TO THE LED AND WILL INVALIDATE THE WARRANTY.

FOR FIXTURES PROVIDED WITH AN AIMING SYSTEM

- LOCKING SCREW MUST BE LOOSENED BEFORE INSTALLATION.
- ADJUST THE SPOTLIGHT TO THE DESIRED ANGLE AND THEN LOCK INTO POSITION USING THE SUPPLIED LOCKING KEY.

6. LOCKING SYSTEM

